

VT30W-01



VT30W-01

30" WHITE VANITY TOP – 1 FAUCET HOLE (1 1/2")

Outside Diameter W 30" D 22" H 1.5"

18" x 12" Sink Cutout with 1 Faucet Hole

VT30W-03

30" WHITE VANITY TOP – 3 FAUCET HOLE
(1 1/2" center, 1 3/8" Sides)

Outside Diameter W 30" D 22" H 1.5"

18" x 12" Sink Cutout with 3 Faucet Holes (Wide Spread)

DETAILS

Manufactured from recycled glass, Finish is similar to quartz

Includes 4" Backsplash

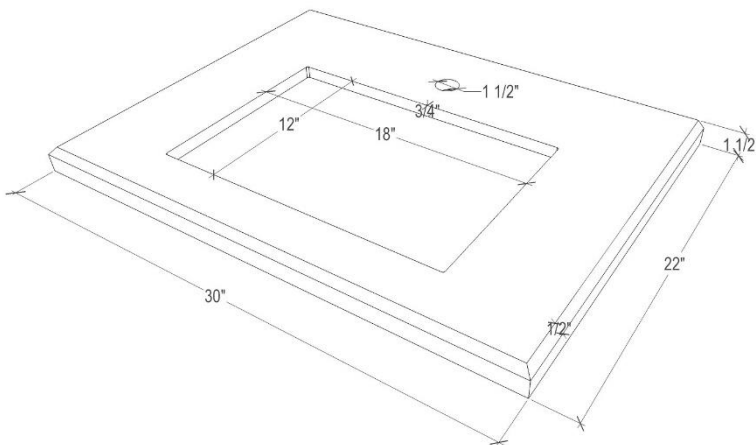
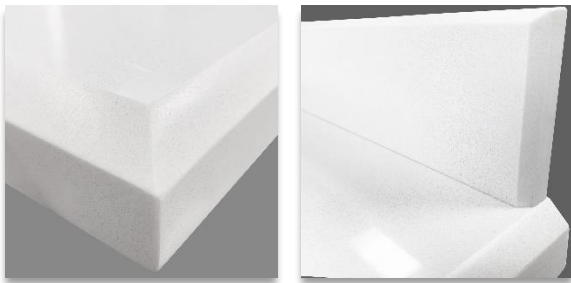
1.5" Height

CARE

Clean with mild soap. No abrasive chemicals

WARRANTY

Linkasink warranties our product to be free from manufacturing defect for the life of the product. Warranty does not cover improper care, neglect or abuse.



VT30W-03

